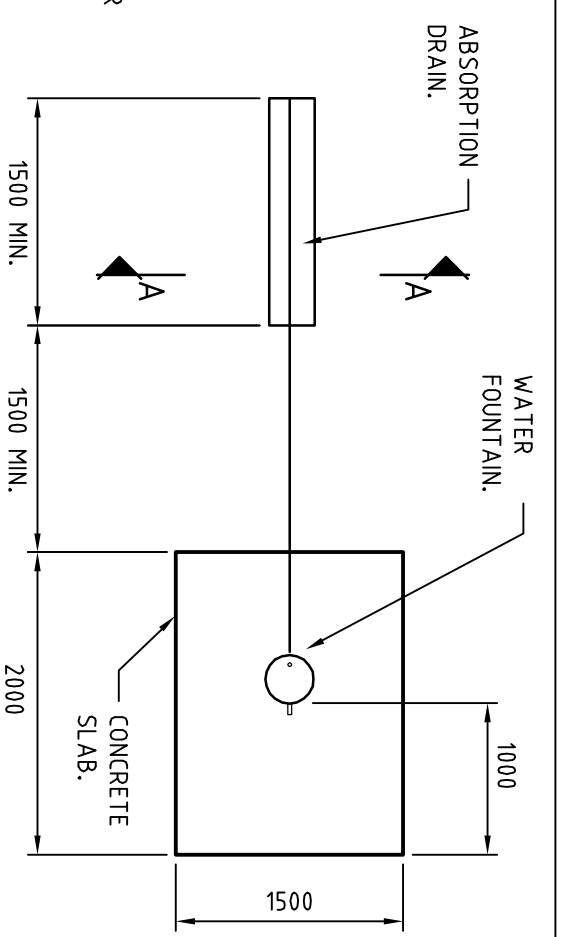
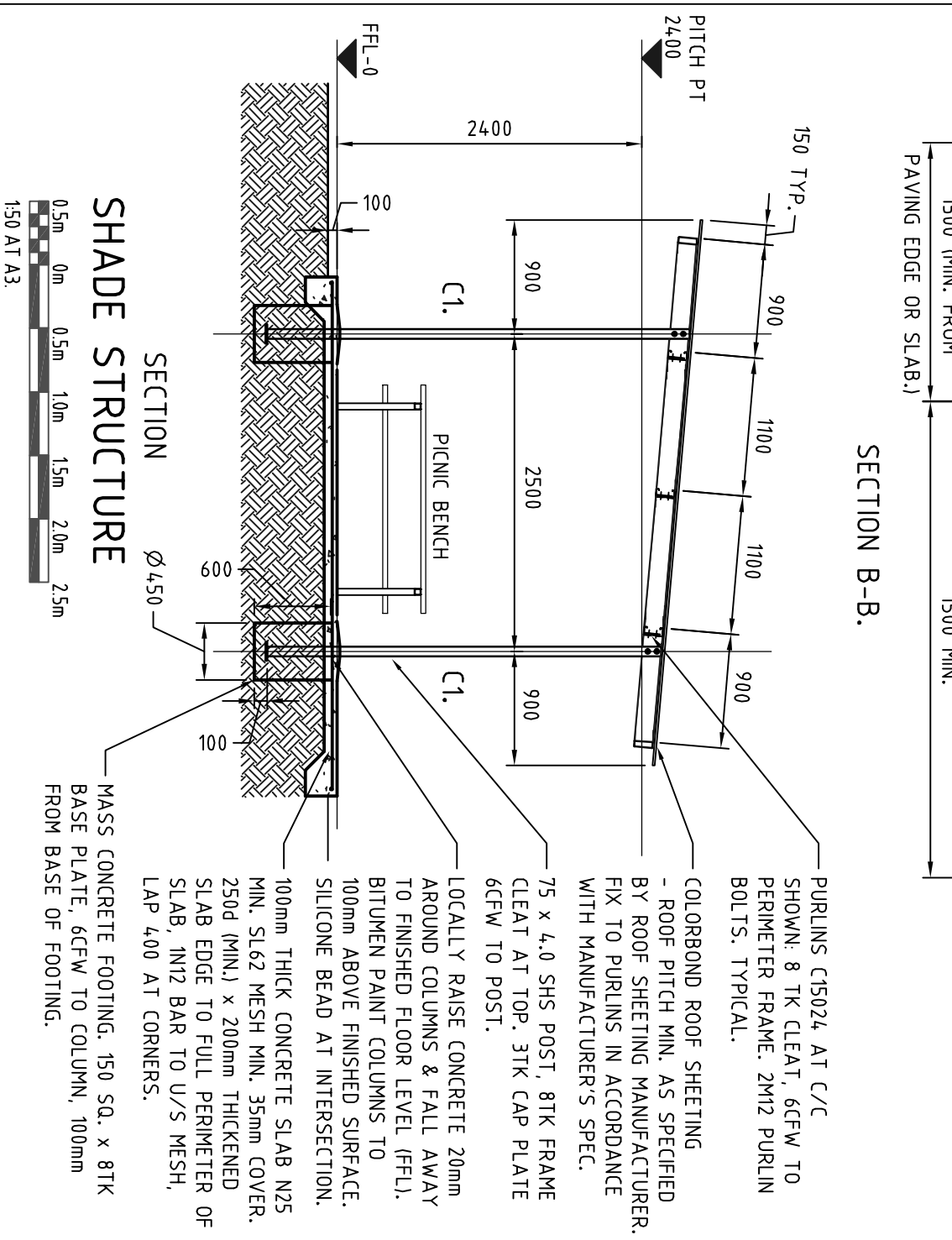


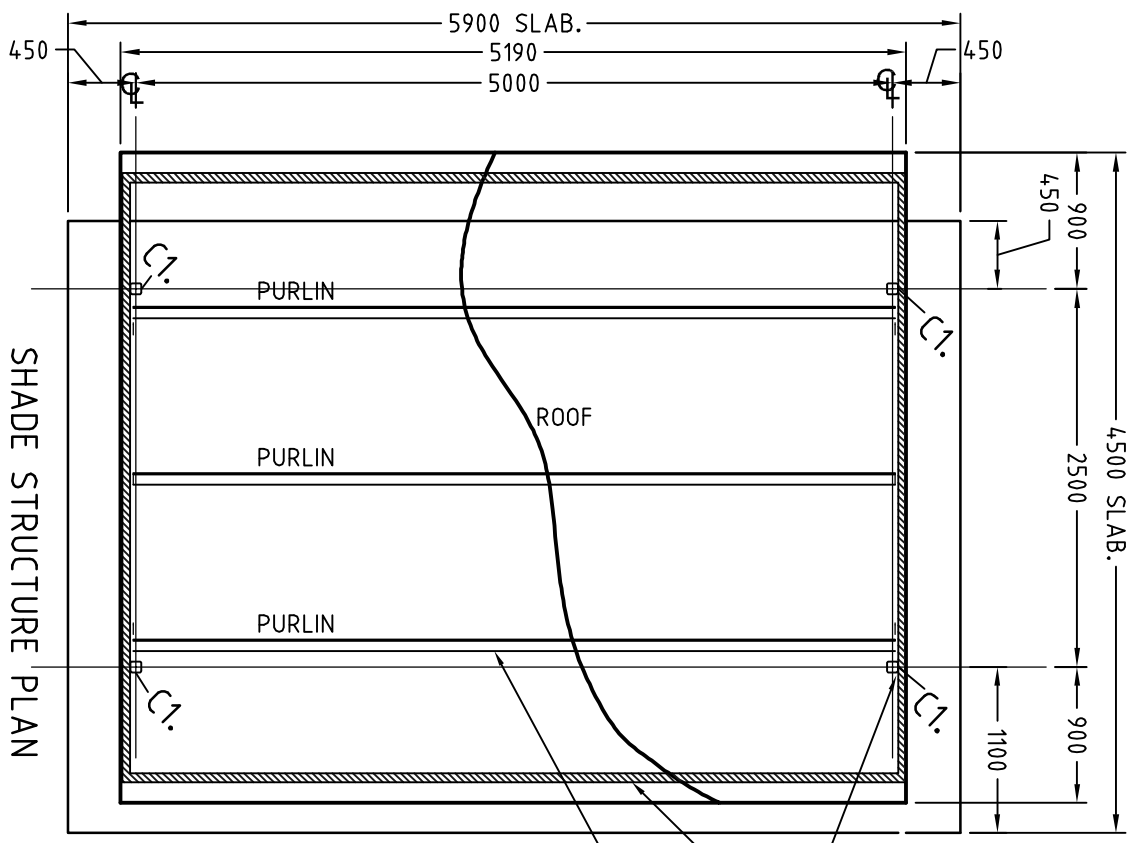
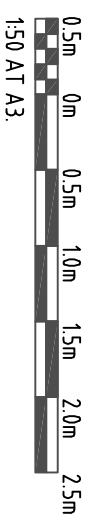
ELEVATION



TYPICAL WATER FOUNTAIN PLAN



SHADE STRUCTURE SECTION



SHADE STRUCTURE PLAN

- NOTES:**
- 100mm THICK SLAB, SL82 FABRIC, 35mm TOP COVER) LAYED ON 0.2mm POLYETHYLENE MEMBRANE.
 - CONCRETE TO BE CLASS N32 (32 MPA, 65 ± 15mm MAX. SLUMP, 20mm MAX. AGGREGATE SIZE). ALL CONCRETE TO BE MECHANICALLY COMPACTED.
 - THE CONCRETE SURFACE IS TO BE STEEL TROWELED FOLLOWED BY A MOIST HAIR BROOM. THE FINAL SURFACE SHALL BE NON-SLIP AND PROVIDE A SAFE ROUTE FOR PEDESTRIANS.
 - STEEL RHS GRADE 450. STEEL FINISH HD GALV AFTER FABRICATION OR DULUX ZINCANODE 402 SHOP PRIMED (CLASS 2½ FINISH) WITH 2 COATS DULUX LUXATHANE R-PC402.
- 3 PLATE 6CFW TO "C1" WITH 4M12 BOLTS THRU PERIMETER FRAME PER COLUMN, WITH NEOPRENE WASHERS, TYPICAL.
- 150 x 50 x 3.0 RHS PERIMETER ROOF FRAME, MITRE & FULL-STRENGTH-BUTT-WELD CORNERS.
- PURLINS C15024.



Alice Springs TOWN COUNCIL

OUR TODD STREET AND GREGORY TERRACE
 PHONE: (08) 89 500 500
 FAX: (08) 89 530 558

SUBDIVISION AND DEVELOPMENT GUIDELINES

PARK SHADE STRUCTURE AND WATER FOUNTAIN

REV	DESCRIPTION	DATE	INITIALS
B	DESIGN ISSUE	November 2012	ASTC

DRAWING NUMBER: ASTC - 114	AMENDMENT: B
DESIGNED: M/P	SCALE: AS SHOWN
SURVEYED: N/A	DATE: Jan 2011
DRAWN: ASTC	