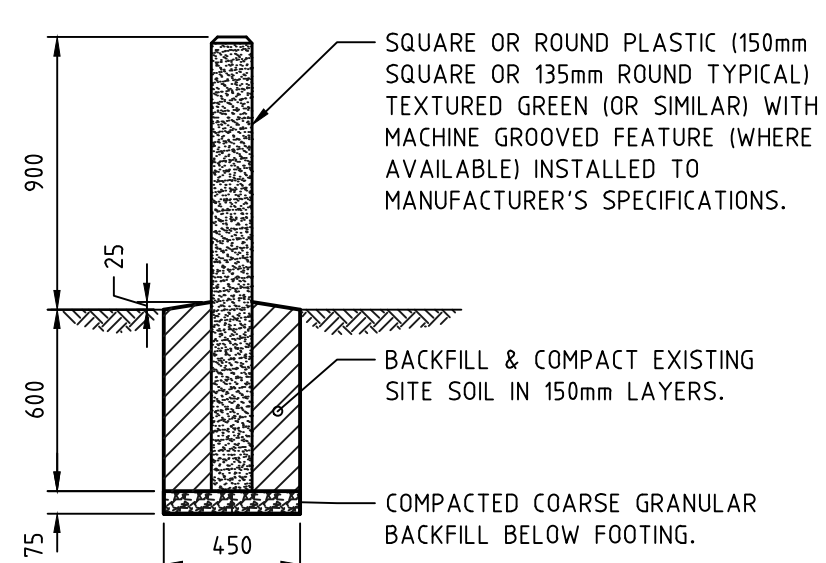
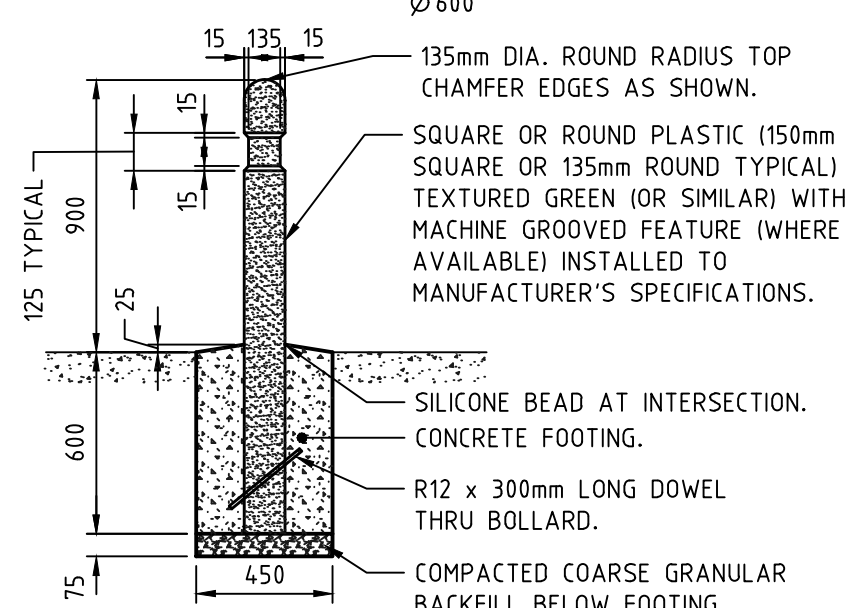


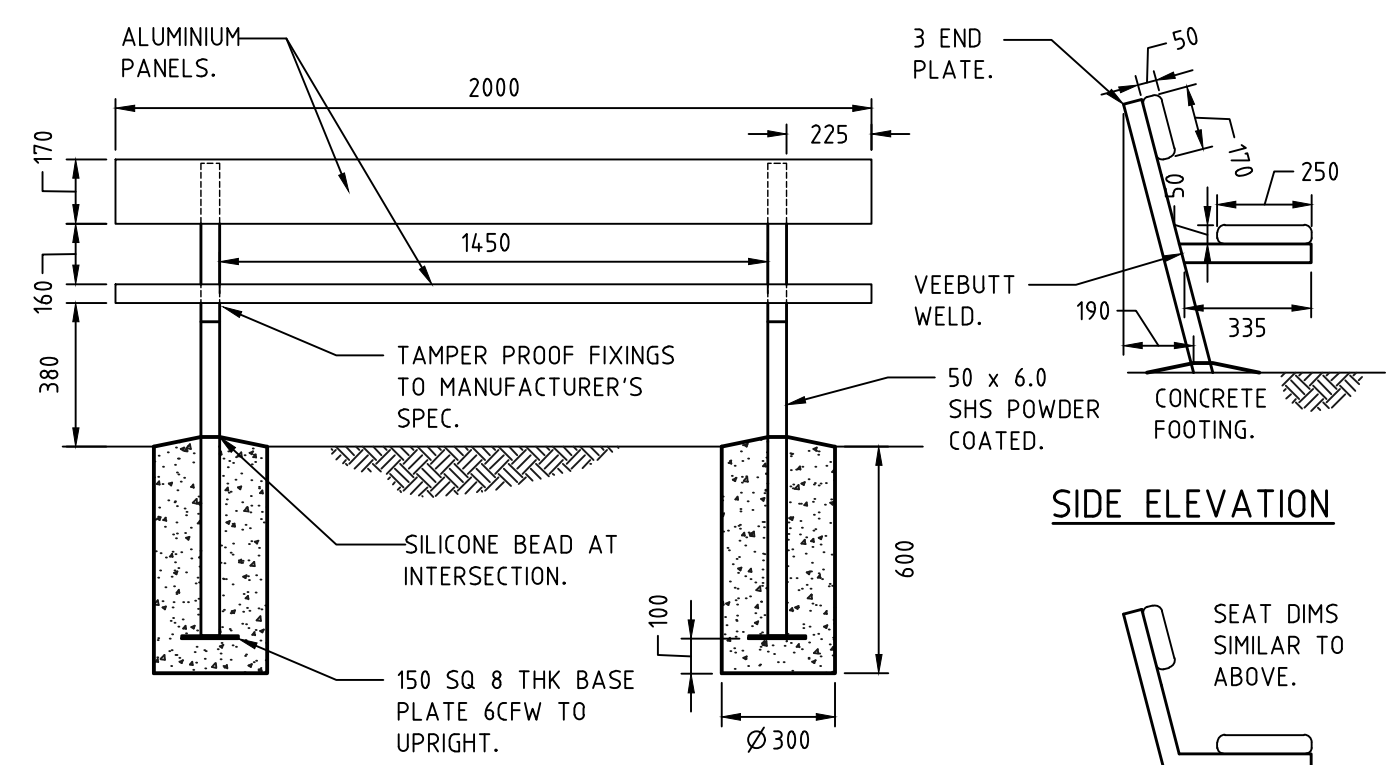
PARK GATE
NTS



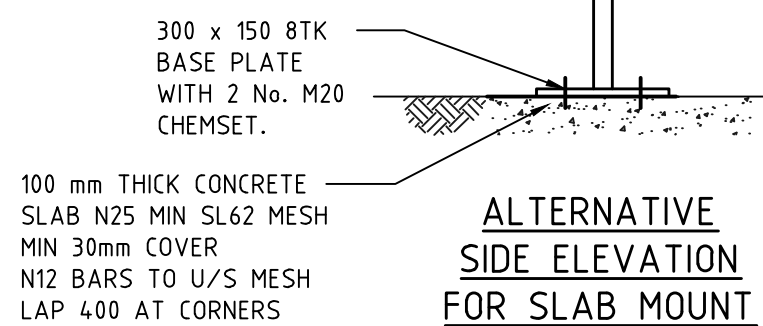
BOLLARD IN GROUND
NTS



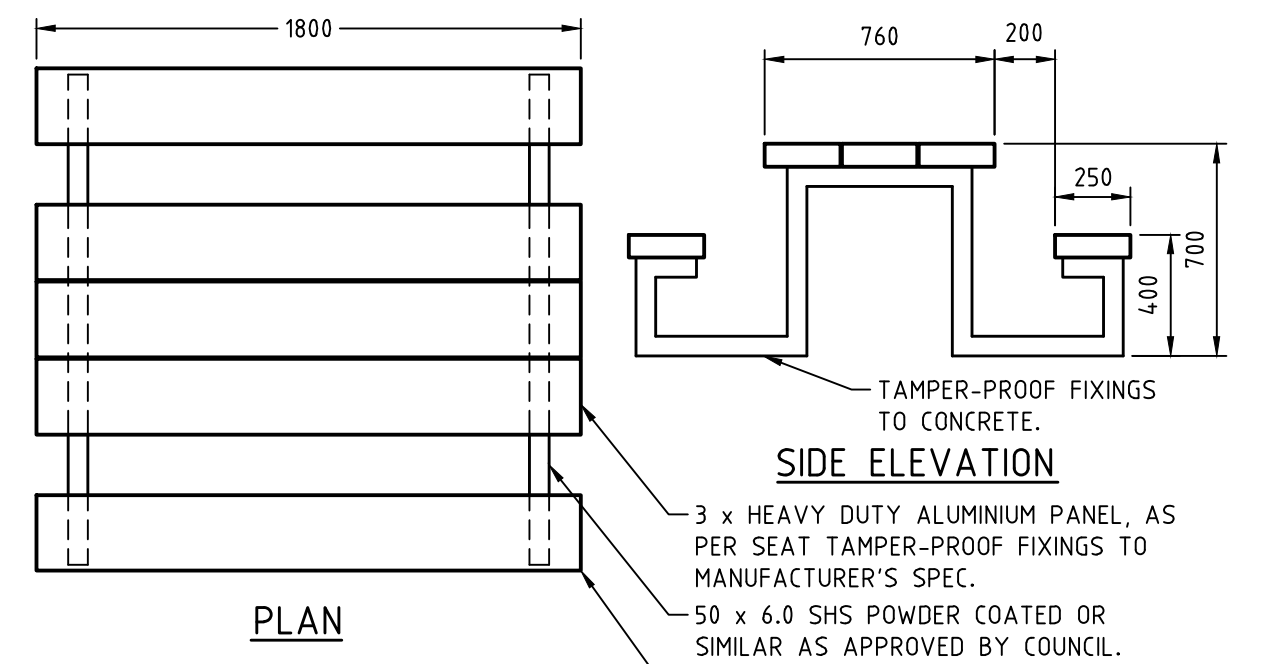
BOLLARD IN PAVEMENT/CONCRETE
NTS



PARK SEATING
NTS



ALTERNATIVE SIDE ELEVATION FOR SLAB MOUNT



PICNIC BENCH
NTS



ALICE SPRINGS TOWN COUNCIL
CNR TODD STREET AND GREGORY TERRACE
PHONE: (08) 89 500 500
FAX: (08) 89 530 558

SUBDIVISION AND DEVELOPMENT GUIDELINES			
PARK FURNITURE DETAILS			
REV	DESCRIPTION	DATE	INITIALS
C	DESIGN ISSUE	05.02.18	ASTC

DRAWING NUMBER:	ASTC - 113	AMENDMENT:	C
DESIGNED:	MP	SCALE:	NOT TO SCALE
SURVEYED:	N/A	DATE:	FEB 2018
DRAWN:	MR/TJK		