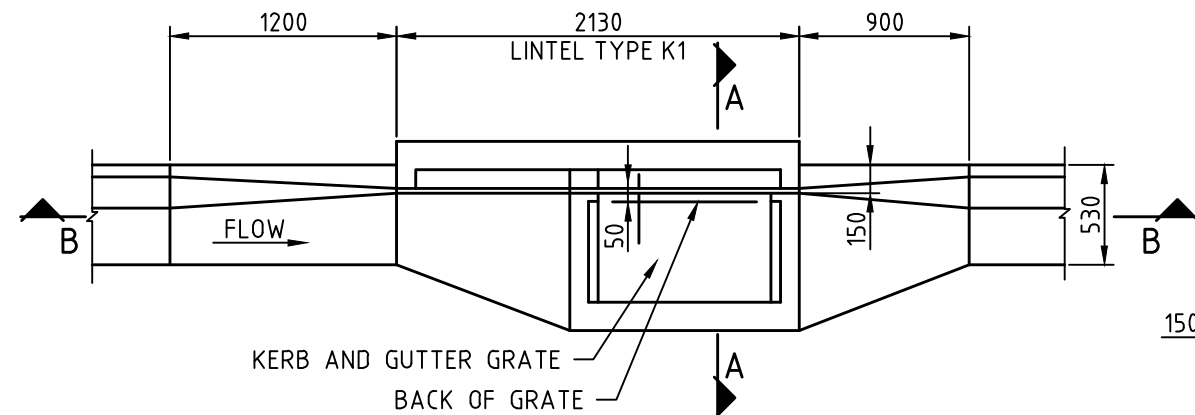
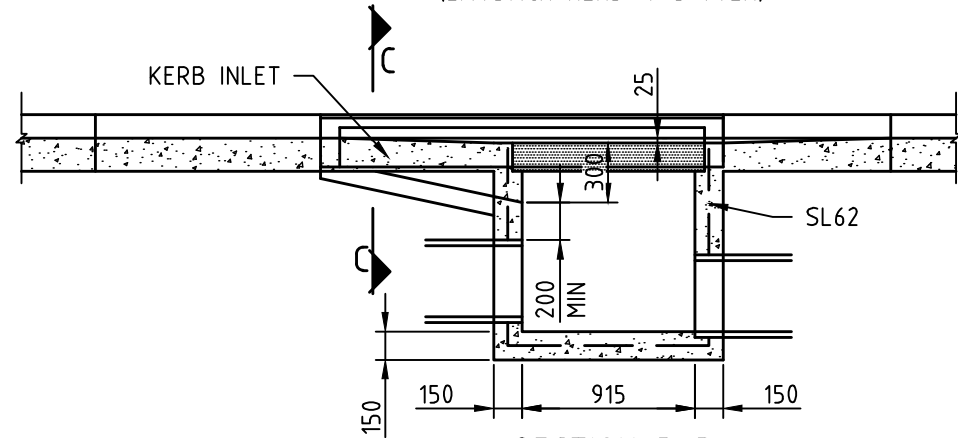


PLAN
(STANDARD KERB & GUTTER)

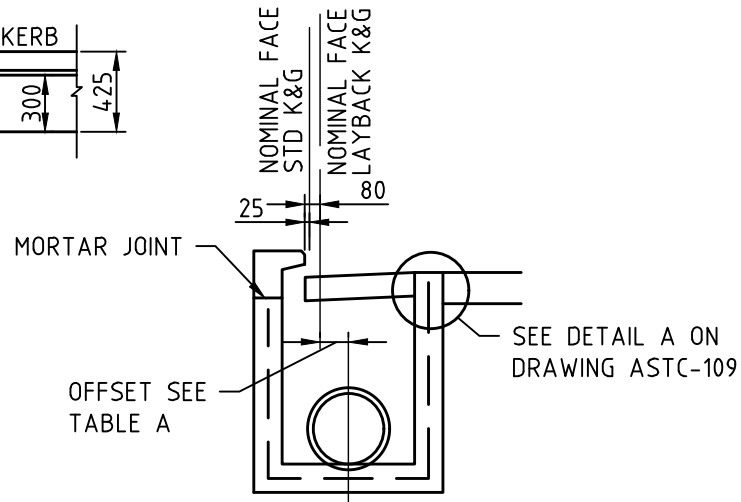


PLAN
(LAYBACK KERB & GUTTER)

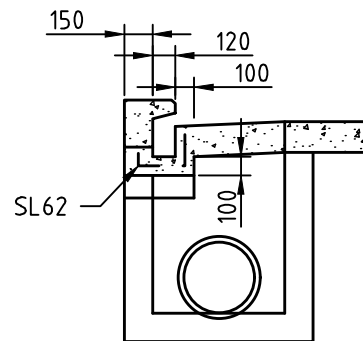


SECTION B-B

1 BAY KERB & GUTTER PIT



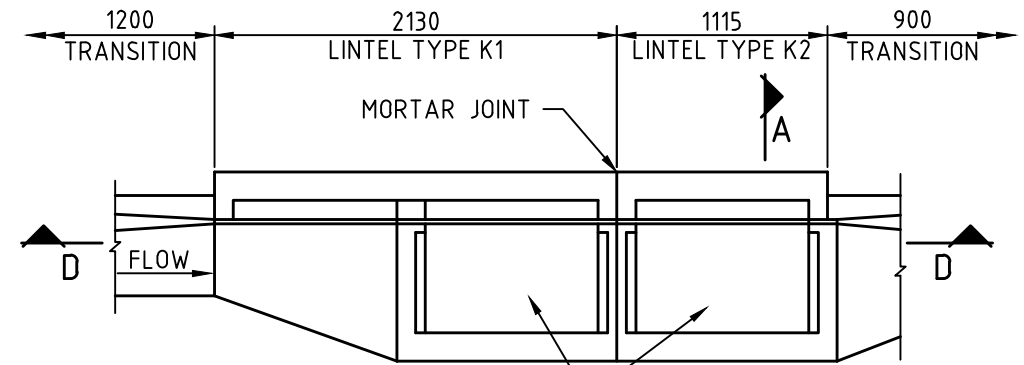
SECTION A-A



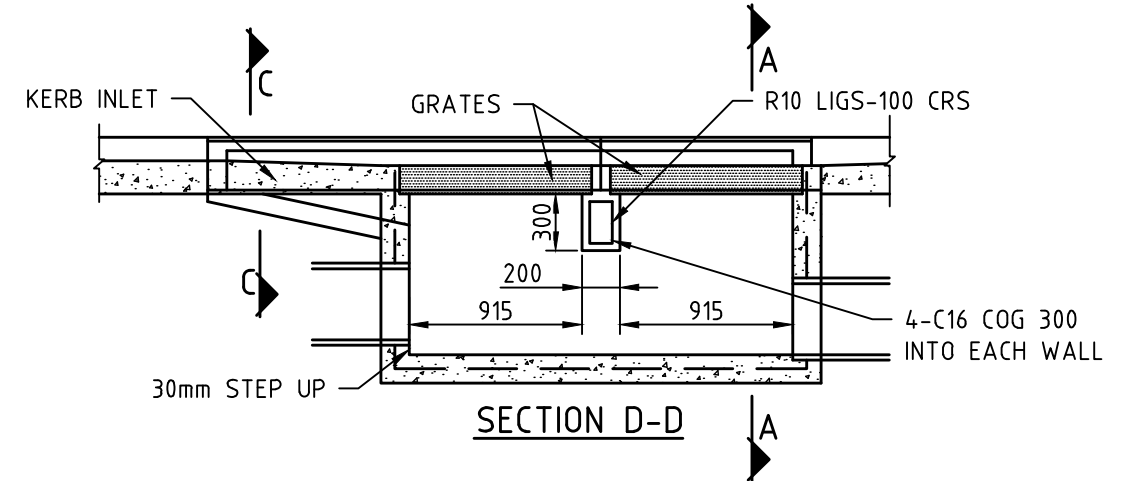
SECTION C-C

TABLE A

NOM Ø OF PIPE (mm)	OFFSET (mm)
375	160
450	160
525	160
600	160
675	160
750	400
900	400
1050	400
1200	400
1350	625
1500	625
1650	625

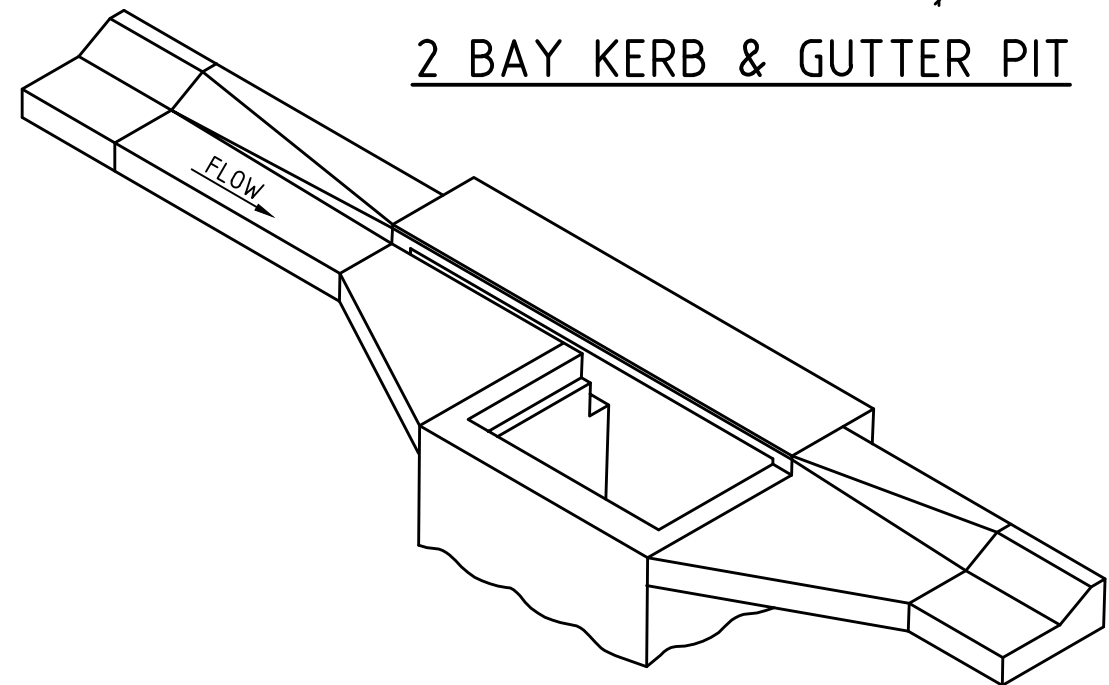


PLAN
(LAYBACK KERB & GUTTER)



SECTION D-D

2 BAY KERB & GUTTER PIT



ISOMETRIC VIEW TYPE 'A'
1 BAY PIT ON GRADE

NOTES

1. CONCRETE TO BE 32MPa.
2. PIPES ENTERING ON FRONT OR BACK WALLS OF MULTIPLE BAY PITS SHALL BE CENTERED ON BAY CENTRELINES NOT ON SUPPORT BEAM CENTRELINES.
3. GRATES, BICYCLE SAFE, MUNICIPAL HINGED. GRATE AND FRAME, HOT DIPPED GALVANIZED. REFER DRAWING ASTC-110.
4. FOR LINTEL DETAILS, REFER DRAWING ASTC-109.



ALICE SPRINGS TOWN COUNCIL

CNR TODD STREET AND GREGORY TERRACE
PHONE: (08) 89 500 500
FAX: (08) 89 530 558

SUBDIVISION AND DEVELOPMENT GUIDELINES

SIDE ENTRY PIT - GENERAL ARRANGEMENT

REV	DESCRIPTION	DATE	INITIALS
C	DESIGN ISSUE	05.02.18	ASTC

DRAWING NUMBER: ASTC - 108

AMENDMENT: C

DESIGNED: MP
SURVEYED: N/A
DRAWN: MR/TJK

SCALE: NOT TO SCALE
DATE: FEB 2018