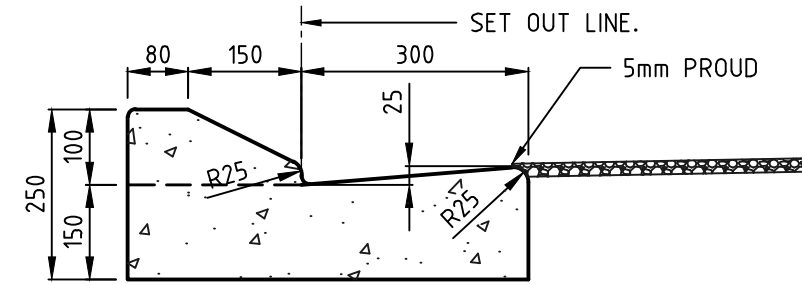
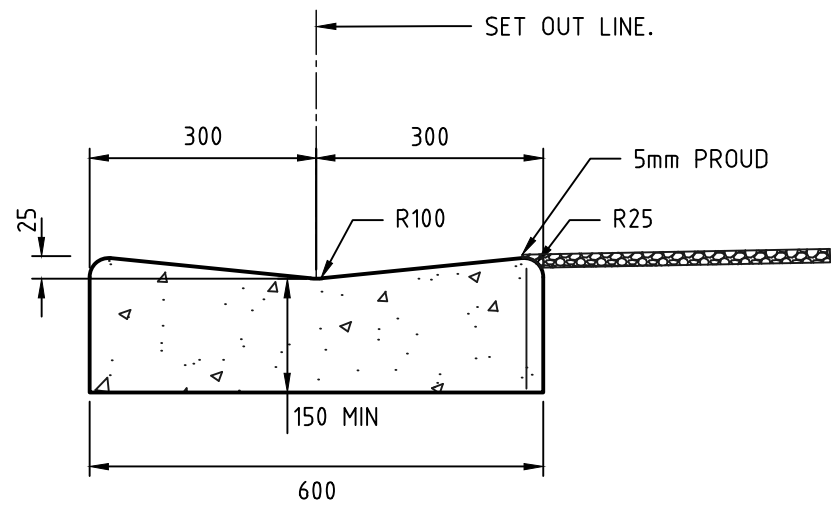


KERB & GUTTER
NTS



LAYBACK KERB & GUTTER
NTS



CONCRETE INVERT
NTS



ALICE SPRINGS TOWN COUNCIL

CNR TODD STREET AND GREGORY TERRACE
PHONE: (08) 89 500 500
FAX: (08) 89 530 558

SUBDIVISION AND DEVELOPMENT GUIDELINES

TYPICAL KERBS & GUTTERS

REV	DESCRIPTION	DATE	INITIALS
C	DESIGN ISSUE	05.02.18	ASTC

DRAWING NUMBER: ASTC - 106

AMENDMENT: C

DESIGNED: MP
SURVEYED: N/A
DRAWN: MR/TJK

SCALE: NOT TO SCALE
DATE: FEB 2018