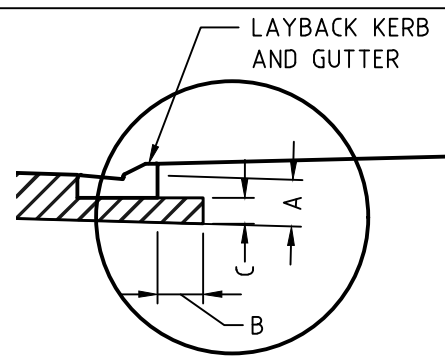
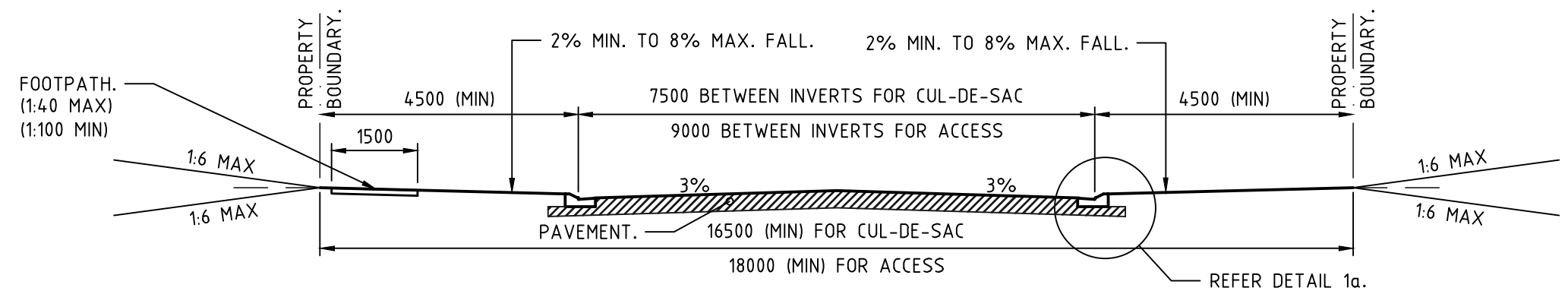


**TYPE 5 RURAL RESIDENTIAL COLLECTOR / ARTERIAL**

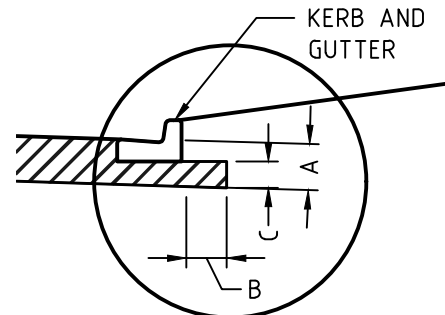


**DETAIL 1a**

- NOTES**
- A MIN. PAVEMENT THICKNESS 300mm.
  - B MIN. PAVEMENT EXTEND BEYOND BACK OF KERB 300mm.
  - C MIN. PAVEMENT DEPTH BELOW KERB 150mm.

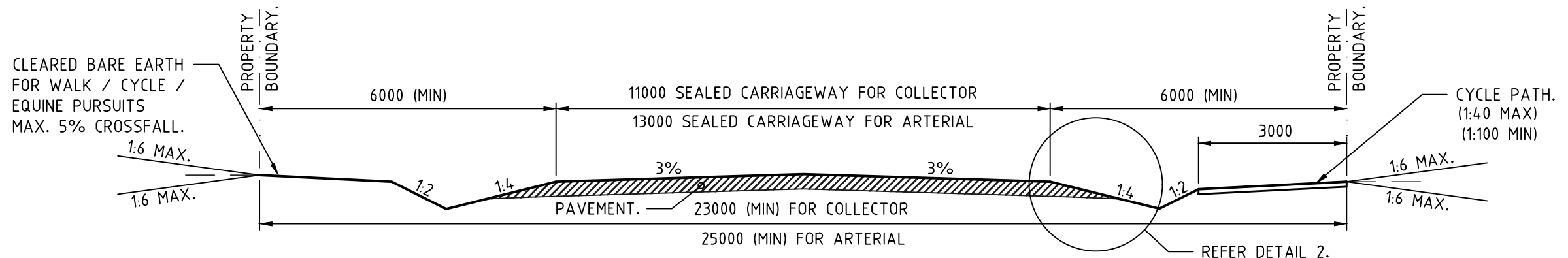


**TYPE 6 RURAL LIVING CUL-DE-SAC / ACCESS**

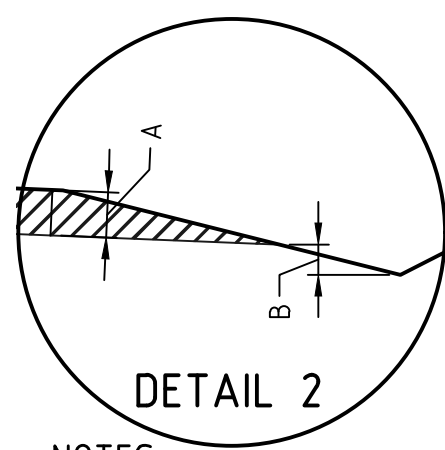


**DETAIL 1b**

- NOTES**
- A MIN. PAVEMENT THICKNESS 300mm.
  - B MIN. PAVEMENT EXTEND BEYOND BACK OF KERB 300mm.
  - C MIN. PAVEMENT DEPTH BELOW KERB 150mm.

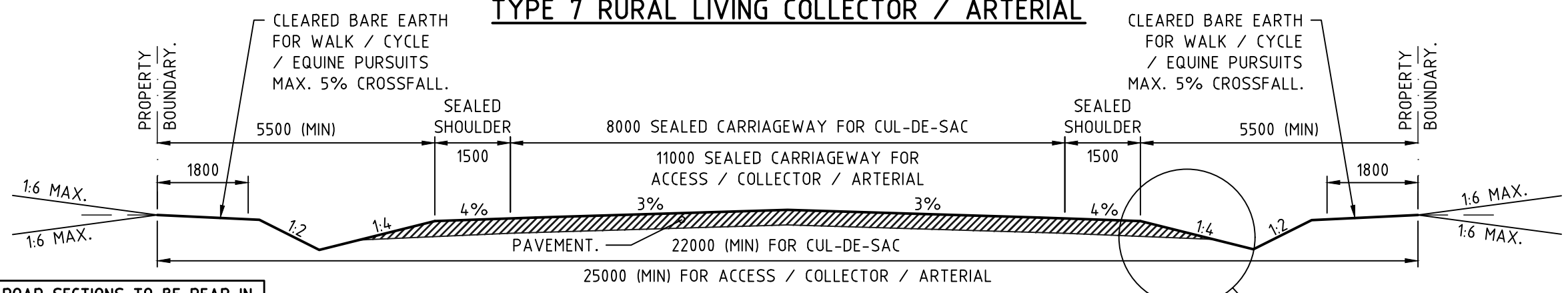


**TYPE 7 RURAL LIVING COLLECTOR / ARTERIAL**



**DETAIL 2**

- NOTES**
- A MIN. PAVEMENT THICKNESS 300mm.
  - B DRAIN INVERT MIN 200mm BELOW PAVEMENT.



**TYPE 8 RURAL CUL-DE-SAC / ACCESS / COLLECTOR / ARTERIAL**

TYPICAL ROAD SECTIONS TO BE READ IN CONJUNCTION WITH THE ASTC SUBDIVISION & DEVELOPMENT GUIDELINES, TABLE 1: CLASSIFICATION OF ROADS.



**ALICE SPRINGS TOWN COUNCIL**  
 CNR TODD STREET AND GREGORY TERRACE  
 PHONE: (08) 89 500 500  
 FAX: (08) 89 530 558

SUBDIVISION AND DEVELOPMENT GUIDELINES			
TYPICAL ROAD CROSS SECTIONS - RURAL			
REV	DESCRIPTION	DATE	INITIALS
D	DESIGN ISSUE	27.04.18	ASTC

DRAWING NUMBER:	ASTC - 101
DESIGNED:	MP
SURVEYED:	N/A
DRAWN:	MR/TJK

AMENDMENT:	D
SCALE:	NOT TO SCALE
DATE:	APRIL 2018