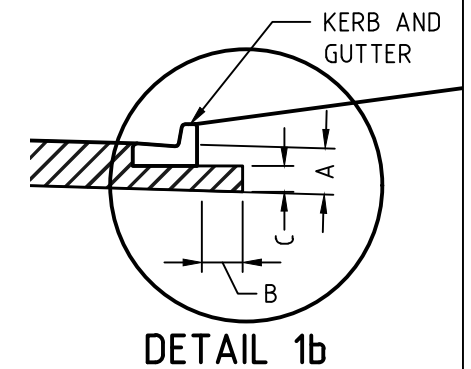


- NOTES**
- A MIN. PAVEMENT THICKNESS 300mm.
 - B MIN. PAVEMENT EXTEND BEYOND BACK OF KERB 300mm.
 - C MIN. PAVEMENT DEPTH BELOW KERB 150mm.



- NOTES**
- A MIN. PAVEMENT THICKNESS 300mm.
 - B MIN. PAVEMENT EXTEND BEYOND BACK OF KERB 300mm.
 - C MIN. PAVEMENT DEPTH BELOW KERB 150mm.

TYPICAL ROAD SECTIONS TO BE READ IN CONJUNCTION WITH THE ASTC SUBDIVISION & DEVELOPMENT GUIDELINES, TABLE 1: CLASSIFICATION OF ROADS.



ALICE SPRINGS TOWN COUNCIL

CNR TODD STREET AND GREGORY TERRACE
 PHONE: (08) 89 500 500
 FAX: (08) 89 530 558

SUBDIVISION AND DEVELOPMENT GUIDELINES

TYPICAL ROAD CROSS SECTIONS - URBAN & COMMERCIAL / INDUSTRIAL

REV	DESCRIPTION	DATE	INITIALS
D	DESIGN ISSUE	27.04.18	ASTC

DATE
27.04.18

INITIALS
ASTC

DRAWING NUMBER: ASTC - 100

DESIGNED: MP
 SURVEYED: N/A
 DRAWN: MR/TJK

AMENDMENT: D

SCALE: NOT TO SCALE
 DATE: APRIL 2018